



NEW

OASIS C10 & C16 HEAT PUMPS

- ✓ 10% MORE HEATING CAPACITY
- ✓ EXTEND YOUR SEASON EVEN FURTHER
- ✓ HEATING & COOLING WITH AUTO DEFROST
- ✓ DESIGNED FOR BOTH EXTENDED SEASON & ALL YEAR-ROUND HEATING



SWIM IN A WARM POOL
FOR AS LITTLE AS

\$2.60
PER DAY



**MULTI AWARD
WINNERS**



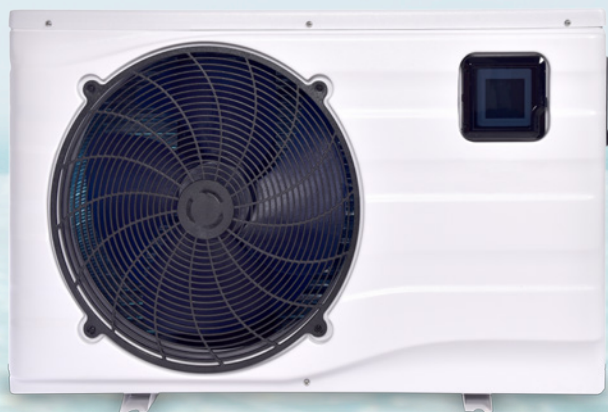
✓ TITANIUM SPIRAL HEAT EXCHANGER

More efficient than standard heat exchangers and comes with a lifetime warranty against corrosion

✓ COMMERCIAL GRADE ABS PLASTIC CASING

✓ RUSTPROOF & ANTI-CORROSIVE

✓ SUPER QUIET OPERATION



SPECIFICATIONS

| Model | | Oasis C10 | Oasis C16 |
|--|------|-----------------|------------------|
| Heating Capacity 19°C air / 26°C water | kW | 10.0 | 16.0 |
| Heating Capacity 27°C air / 26°C water | kW | 12 | 17.5 |
| Heating Power Input | kW | 1.90 | 2.85 |
| Running Current | A | 8.70 | 13.00 |
| Power Supply | V/Hz | 230V / 50Hz | 230V / 50Hz |
| Dimensions (L/W/H) | mm | 953 x 360 x 605 | 1115 x 470 x 870 |
| Dimensions Shipping (L/W/H) | mm | 970 x 370 x 615 | 1220 x 480 x 880 |

SWIM IN A WARM
POOL FOR AS
LITTLE AS
\$2.60 PER DAY

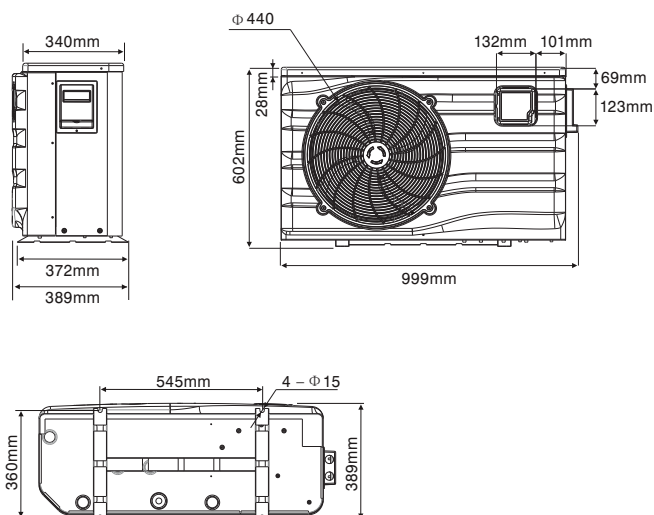


ANNUAL OPERATING COST.
SYDNEY EXAMPLE. (28m² Pool)

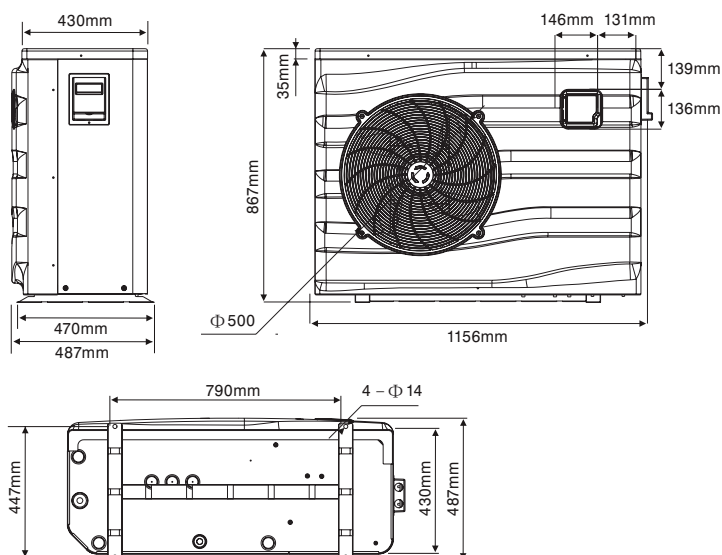
\$625.00
PER YEAR

*Figures are based on a 28 sq mtr Sydney pool running at 28°c with an OASIS heat pump between the months of September and April. Estimated costs only, actual costs dependant on weather and specific pool environment. Costs based on natural gas and electrical pricing as at 01/01/2017 compared with standard domestic electricity tariff. Pool cover on from 6pm to 6am.

OASIS C10 specifications



OASIS C16 specifications



Contact Sunlover Heating to find out more about our Heat Pump Range

Head Office

62 Parkhurst Dr
Knoxfield VIC 3180
T: 03 9887 2131
F: 03 9887 4931

New South Wales

Unit 1, 20-22 Foundry Rd
Seven Hills, NSW 2147
T: 02 9838 0000
F: 02 9838 0466

Queensland

Unit 1, 8 Reichert Dr
Molendinar QLD 4214
T: 07 5679 6821
F: 07 5597 7361

sales@sunloverheating.com.au

www.sunloverheating.com.au

